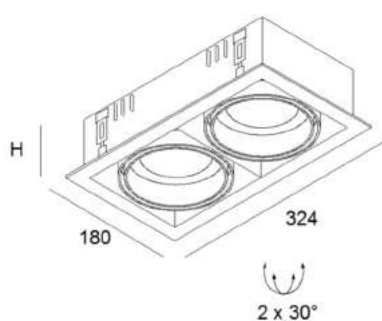




FRAME 150 DUO

technical details




304x160

description

Double recessed downlight,

12 V, illuminant gimbal mounted (2 x 30°), LED and halogen lamps are suitable, please order transformer separately

Colour finish: white or black

2xG53 LED / 2x50W halogen IRC / 12V

Accessories: Anti Glare Cone



Cut-out Dimensions: 304x160mm
Recessed Depth (H) min.: 105mm

Egger Licht GmbH
www.eggerlicht.com

EGGER*
LICHT