



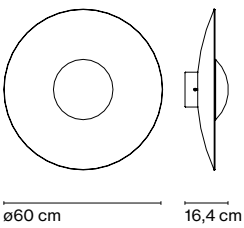
Ginger

Joan Gaspar

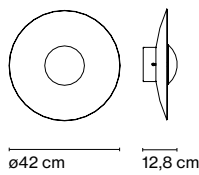
marset



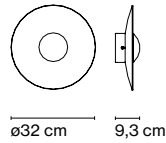
Ginger 60C



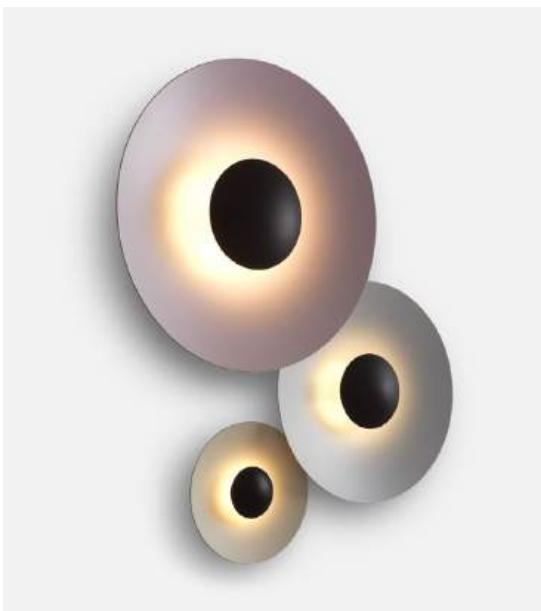
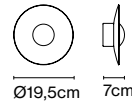
Ginger 42C



Ginger 32C



Ginger 20C



Ginger 20C

Light Source:
LED SMD 350mA 4,05W 2700K CRI90 463lm
Luminaire:
220 - 240 VAC TRIAC 5,72W 161lm

Ginger 32C

Light Source:
LED SMD 700mA 8,2W 2700K CRI90 913lm
Luminaire:
220 - 240 VAC TRIAC 9W 350lm

Ginger 42C

Light Source:
LED SMD 700mA 16,28W 2700K CRI90 1873lm
Luminaire:
180 - 295 VAC TRIAC 19,71W 698lm

Ginger 60C

Light Source:
LED SMD 700mA 22,4W 2700K CRI90 2933lm
Luminaire:
180 - 295 VAC TRIAC 26,09W 1165lm

LED included

Pressed wood or brushed aluminum diffuser.
Injected and lacquered black metal matte aluminium dissipater.

- Oak - Oak
- Wenge - Wenge
- Oak - White
- Wenge - White
- Brushed brass - Brushed brass
- Black - White
- Mauve (RAL 010 70 10)
- Sand (RAL 050 85 10)
- Stone Grey (RAL 000 65 00)

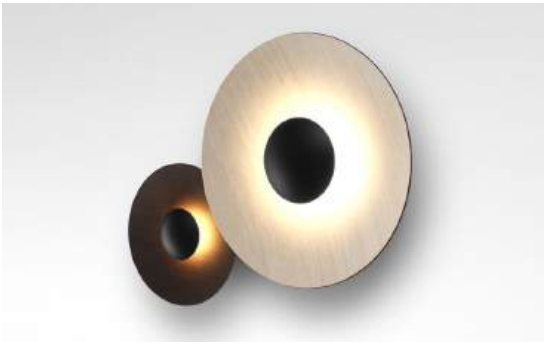
dimming*

*Phase cut dimmer leading and trailing edge (Triac)

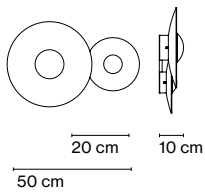


- [Download](#) Assembly Instructions
- [Download](#) Photometric Data
- [Download](#) 2D
- [Download](#) 3D

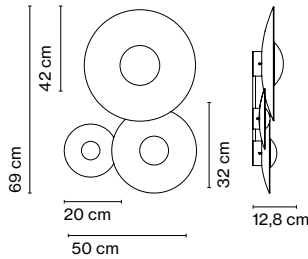
Wood is a great ally of cozy lighting. It is a material that is hard to mold, a challenge that the Ginger collection neatly resolves. The combination of sheets of wood and paper pressed together under high pressure achieves a laminate that appears almost entirely flat. Within the same collection, Ginger is also published in metal.



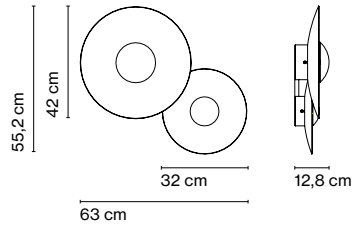
Accessory C2 20/32



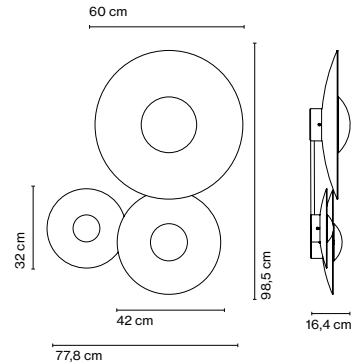
Accessory C3 20/32/42



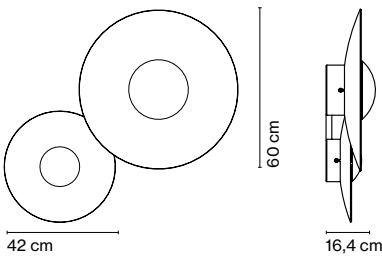
Accessory C2 32/42



Accessory C3 32/42/60



Accessory C2 42/60



Accessory C2 20/32

Light Source:
LED SMD 700mA 12,25W 2700K CRI90
1376lm
Luminaire:
180 - 295 VAC TRIAC 15,3W 511lm

Accessory C3 20/32/42

Light Source:
LED SMD 700mA 28,5W 2700K CRI90
3243lm
Luminaire:
180 - 295 VAC TRIAC 33,5W 1209lm

Accessory C2 32/42

Light Source:
LED SMD 700mA 24,5W 2700K CRI90
2786lm
Luminaire:
180 - 295 VAC TRIAC 29W 1048lm

Accessory C3 32/42/60

Light Source:
LED SMD 700mA 47W 2700K CRI90 5719lm
Luminaire:
180 - 295 VAC TRIAC 55,2W 2213lm

Accessory C2 42/60

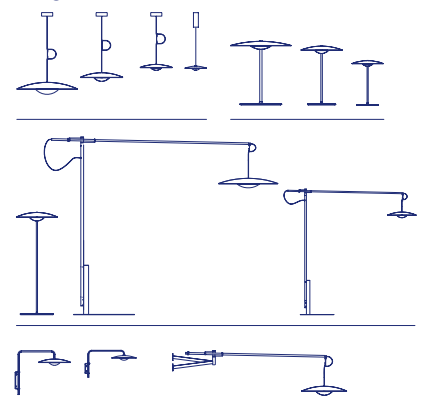
Light Source:
LED SMD 700mA 38,7W 2700K CRI90
4806lm
Luminaire: 180 - 295 VAC TRIAC 45,5W
1863lm

LED included

**Pressed wood or brushed aluminium diffuser.
Injected and lacquered black metal matte aluminium dissipater.**

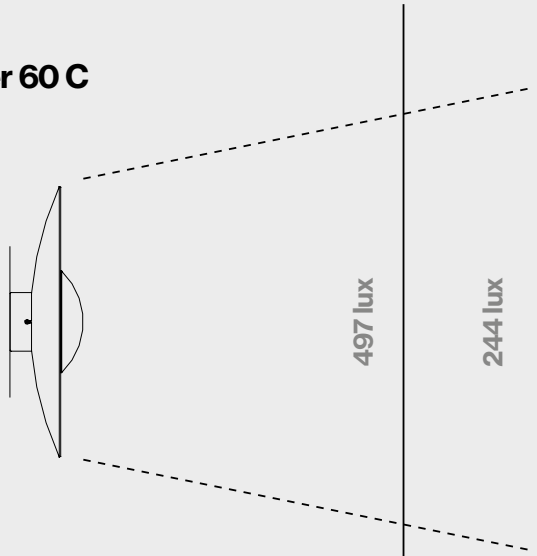
- Oak - Oak
- Wenge - Wenge
- Oak - White
- Wenge - White
- Brushed brass - Brushed brass
- Black - White
- Mauve (RAL 010 70 10)
- Sand (RAL 050 85 10)
- Stone Grey (RAL 000 65 00)

Range

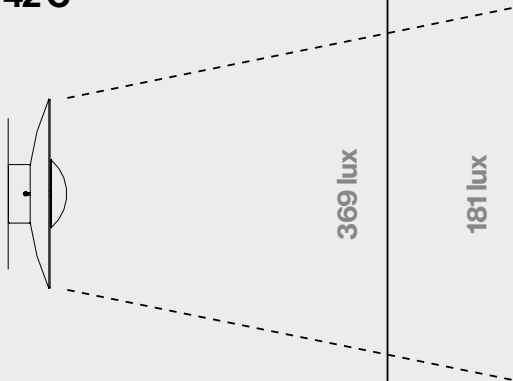


How Ginger illuminates

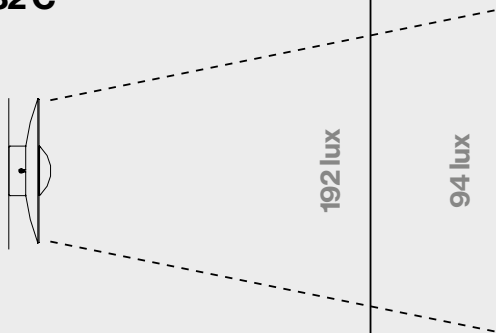
Ginger 60 C



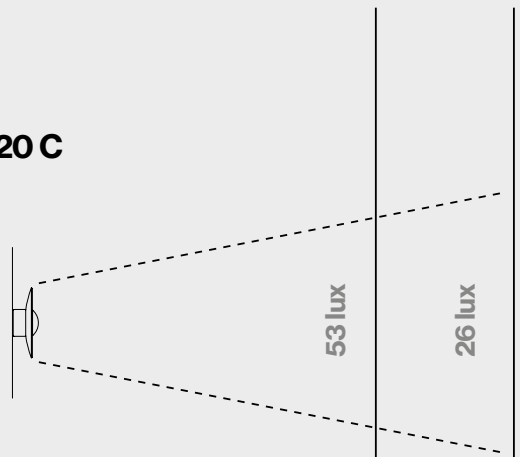
Ginger 42 C



Ginger 32 C



Ginger 20 C



At 70 cm

At 100 cm

At 70 cm

At 100 cm