



## 1434/DIM/2700/BI LED+O

design studio natural, 2016

Wall lamp, indirect light. Structure of cast aluminum painted. LED light source integrated. Electronic driver into the body lamp.



### 1434/DIM/2700/BI led+o

family:	LED+O	Body Color:	○
Designers:	Studio Natural	Diffuser Color:	○
Utilization:	indoor	Body Materials:	aluminium
Typology:	wall	Diffuser Materials:	opal white methacrylate
Certifications:			
Market:	This item is available in the following countries: EUROPE		

#### Dimensions

Width:	-
Height:	-
Length:	-
Depth:	18
Diameter:	27 cm

Hole Diameter:	-
Hole Depth:	-
Net weight:	1,2 Kg

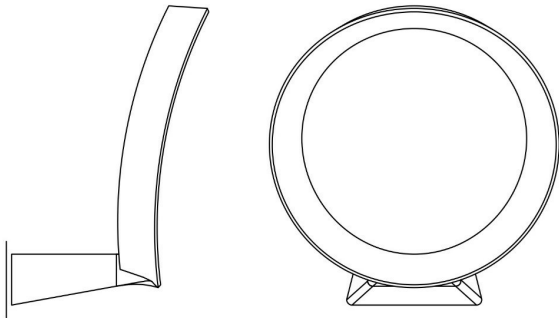
#### Light Source

Watt:	18,6W
Lumen:	2900 lm
Light Source:	led
CRI:	>90
duration:	50000
CCT:	2700K
Energy degree:	A++

#### Device Specifications

Type of emission:	indirect	Power cable length:	-	Driver:	included
Power:	-	Steel cable length:	-	Power supply assembly:	internal
Light output:	-	Glow Wire Test:	-	Power supply:	electronic dimmable power supply
Beam angle:	-	Impact Resistance:	-	Type of dimming:	1-10v
				Voltage:	230V

technical drawing

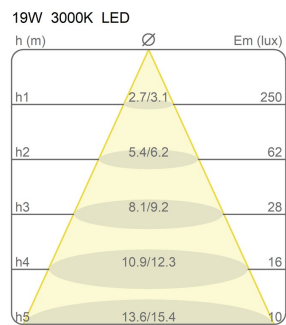
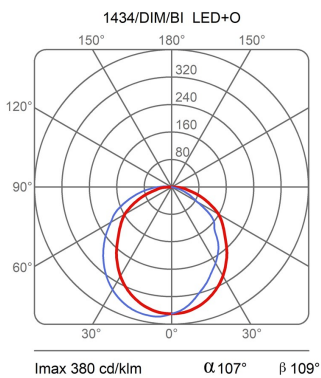
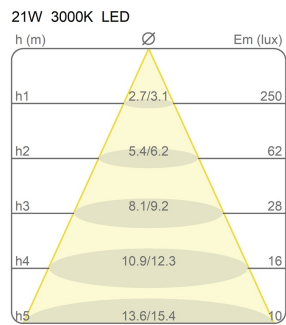
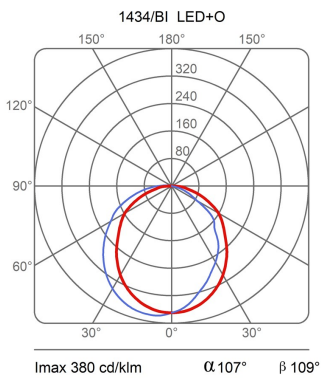


Dimensions

Width: -  
 Height: -  
 Length: -  
 Depth: 18  
 Diameter: 27 cm

Hole Diameter: -  
 Hole Depth: -  
 Net weight: 1,2 Kg

photometrics data





**LED+O 1434/DIM/2700/BI**  
design studio natural, 2016

