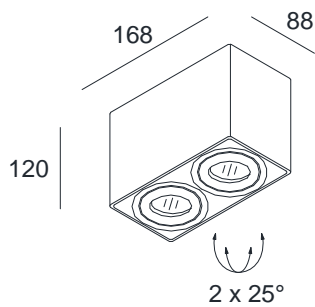




## LIGHT BOX SOFT 2

technical details



description

**Double ceiling luminaire,**

230 V made of aluminium, illuminant gimbal mounted, usable for 230 V halogen and LED

surface colour: white or black

2x50W/GU10