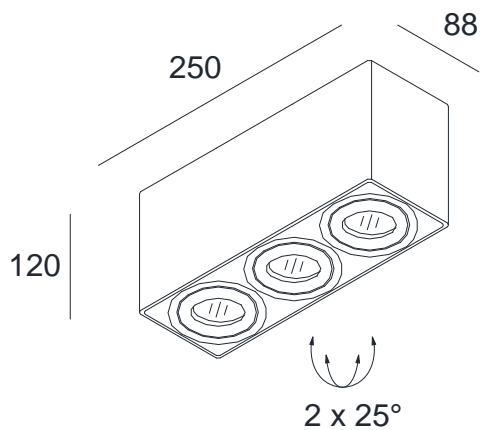




LIGHT BOX SOFT 3

technical details



description

Triple ceiling luminaire,

230 V made of aluminium, illuminant gimbal mounted, usable for 230 V halogen and LED

surface colour: white or black

3x50W/GU10