

SATURNO 2

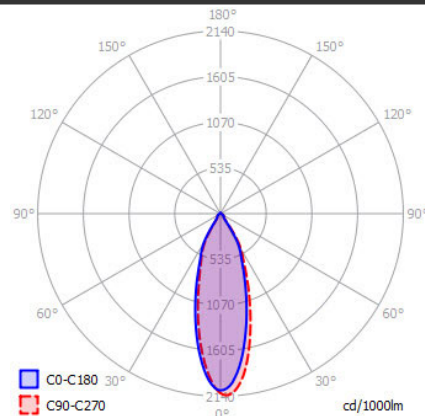
SPECIFICATIONS

MOUNTING		CEILING / WALL
POWER	[W]	2x9,3
LAMP		built-in LED
LUMINOUS FLUX*	[lm]	2x860
LIGHT COLOUR	[K]	2700
CRI		>90
BEAM ANGLE	[°]	32 (default)
AVERAGE LIFETIME	[h]	L80/B50.000
LUMINOUS EFFICACY	[lm/W]	92
POWER SUPPLY		220-240V AC 50/60 Hz
LED-DRIVER		INCLUDED
DIMMING		PHASE DIM
THROUGH-WIRING		NO
MATERIAL		ALUMINUM
INGRESS PROTECTION		IP20
PROTECTION CLASS		I
NET WEIGHT	[kg]	1,31
GROSS WEIGHT	[kg]	1,35
COLOUR (HOUSING)		WHITE ~RAL9003
COLOUR (HOUSING)		BLACK ~RAL9005



LIGHT DISTRIBUTION

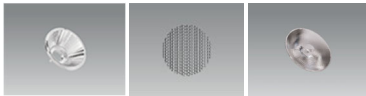
32°



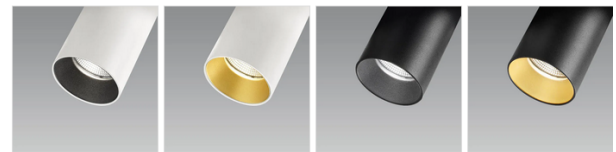
*Luminous flux values are nominal LED data at a operating temperature of 25° C

OPTIONS / OPTIONAL ACCESSORIES

REFLECTOR	[°]	15 / 48
HONEY COMB LOUVER		BLACK
ANTI GLARE RING		GOLD
LENS	[°]	18



Colours



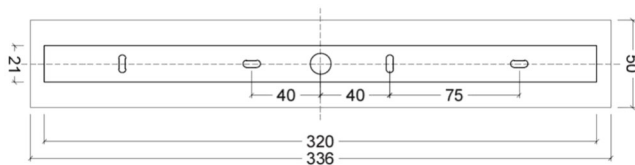
white/black

white/gold

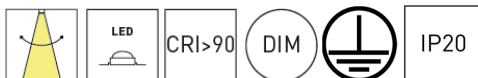
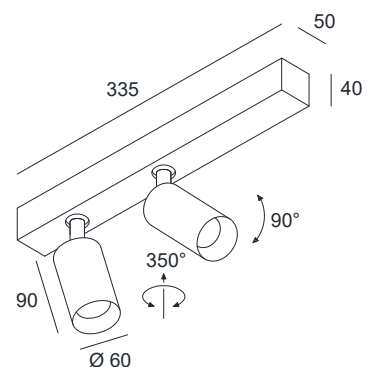
black/black

black/gold

MOUNTING DIMENSIONS



FIXTURE DIMENSIONS



DLS LIGHTING

www.dslighting.com

***DLS**
LIGHTING